



INSTALLATION INSTRUCTIONS

Accessory

WIND SCREEN
P/N 08R70-MKP-D40

Application

CB500FA

Publication No.

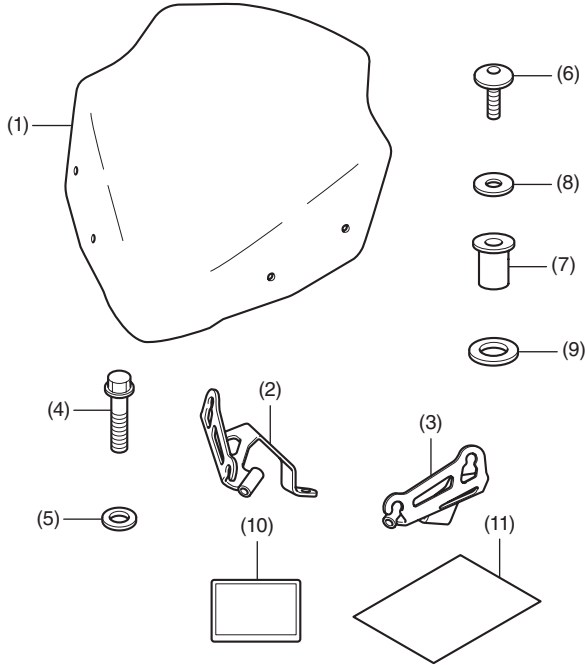
MII

Issue Date

September 2018

Honda Dealer: Please give a copy of these instructions to your customer.

PARTS LIST



No.	Description	Qty
(1)	Wind screen	1
(2)	Right screen stay	1
(3)	Left screen stay	1
(4)	6 mm SH flange bolt	2
(5)	Washer (Black)	2
(6)	5 mm screw	4
(7)	Well nut	4
(8)	Washer (White) (small)	4
(9)	Washer (White) (large)	4
(10)	Label	1
(11)	URL paper	1

TOOLS AND SUPPLIES REQUIRED

Socket (8 mm)

Ratchet

Hex wrench (5 mm)

Synthetic detergent solution

(Water : Synthetic detergent / 100 : 1)

Shop towel

Torque wrench

TORQUE CHART

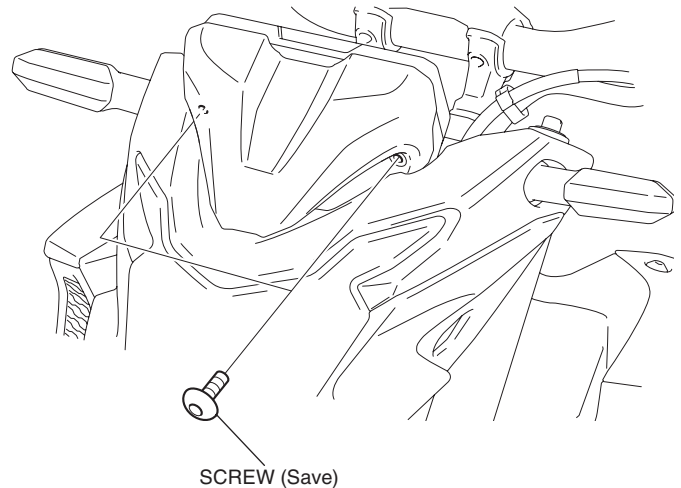
Tighten all screws, bolts, and nuts to their specified torque values. Refer to the Service Manual for the torque values of the removed parts.

Item	N·m	kgf·m	lbf·ft
5 mm screw	0.4	0.04	0.3
6 mm SH flange bolt	10	1.0	7

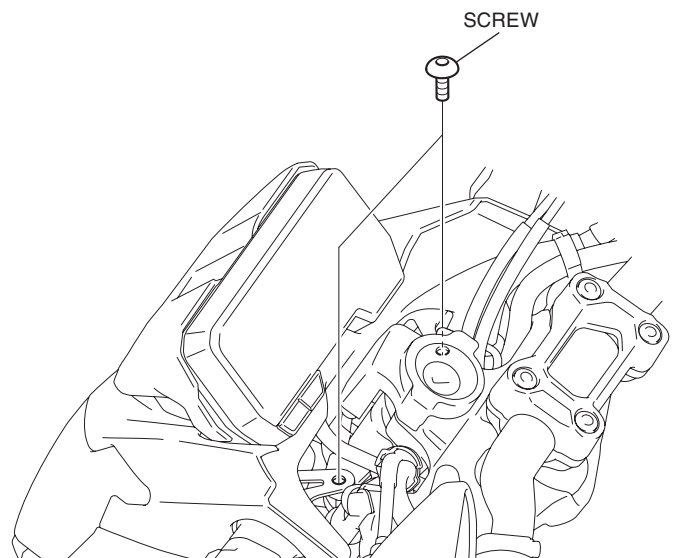
INSTALLATION

- Heat the bonding surfaces with a hair dryer if the ambient air temperature is below 70°F (21°C).
- The adhesive reaches full strength in 72 hours. Wait at least 24 hours before riding your motorcycle.

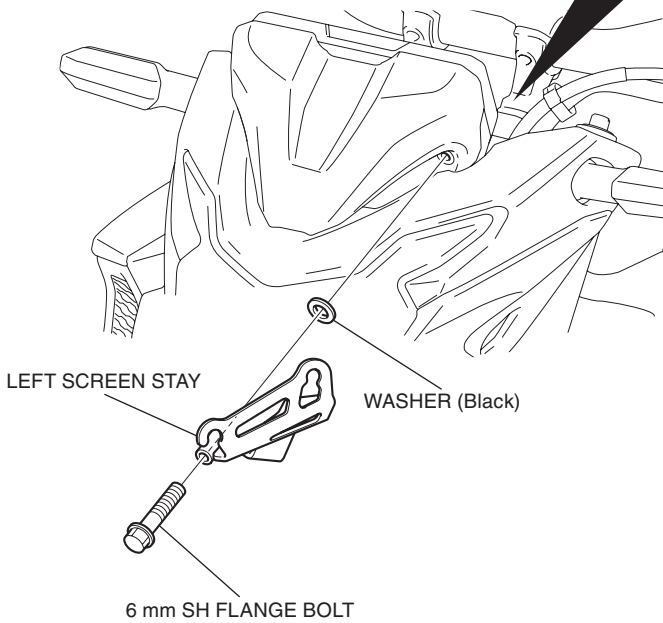
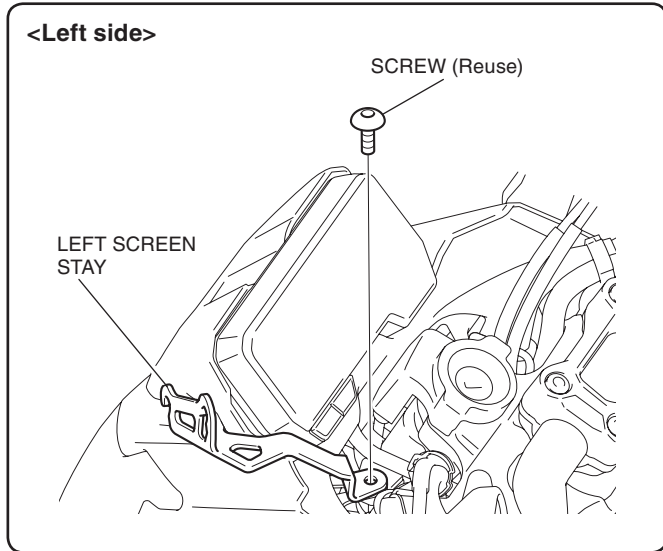
1. Remove the screws as shown.



2. Remove the screws as shown.

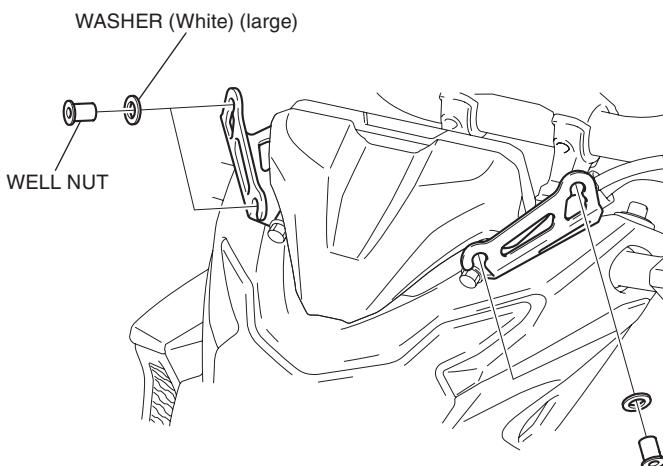


3. Install the left screen stay as shown.

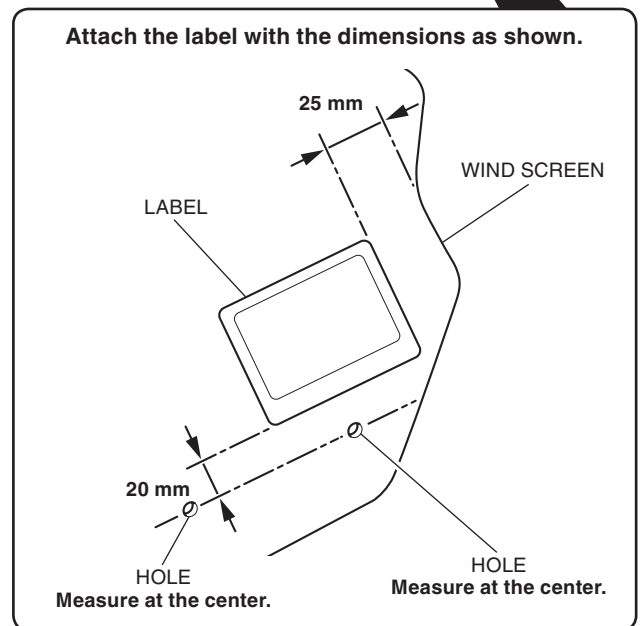
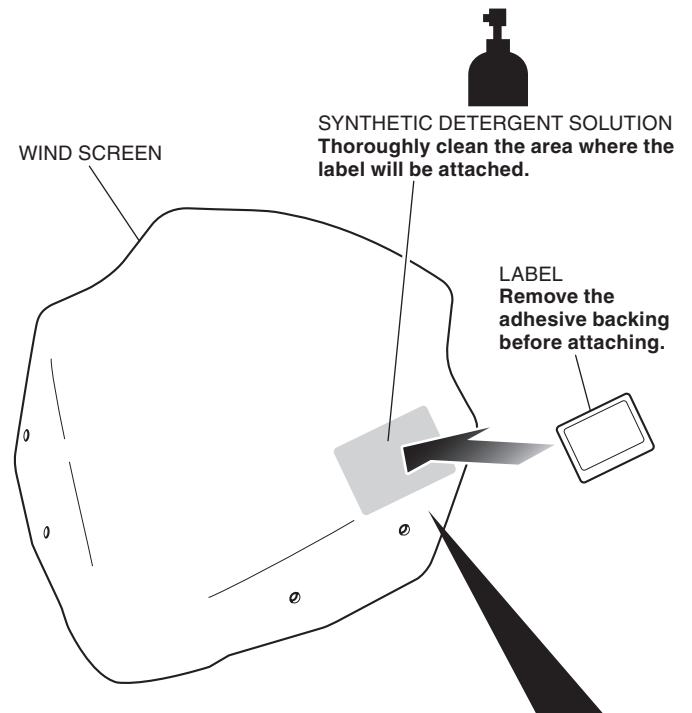


4. Install the right screen stay in the same manner as the left side.

5. Install the well nuts and washers as shown.



6. Attach the label in the position shown.



7. Install the wind screen as shown.

